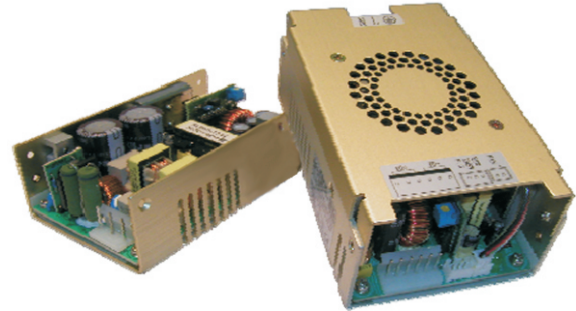


P/N: U1250U-59 AL 250W Single Output

FEATURES:

- ◆ Very High Power Density: 10.4 watts/cu in.
- ◆ Low Leakage Current 500uA @ 240Vac / 300uA @ 120Vac
- ◆ Providing Peak Power 600W within 500uS duty duration
- ◆ Power Factor Corrected to EN61000-3-2 class A
- ◆ Approved to UL CUL TUV CB and CE.
- ◆ AC Input Range Auto-Selectable
- ◆ Output Voltages from 2 ~ 60Vdc



U-Channel Dimensions: 5(L) x 3.2(W) x 1.5(H) inches



This specification is approved in it's entirety by:

Name

Sign

Date

SPECIFICATIONS:

Input Voltage: 90-132 / 180-264Vac, 47-63Hz auto selectable.

Input Current: 6/3A at 110-120 / 200-240VAC.

Inrush Current: Max.70A@230Vac & 35A@115Vac; cold start.

PFC: Power factor corrected to EN61000-3-2 class A.

Transient Response: Output voltage returns to within 1% in less than 2.5mS for a 50% load change, peak does not exceed 5%.

Overshoot: Turn-on & off overshoot < 5% over nominal voltage.

Efficiency: 70% for 3.3V, 75% for 5V, 80% for 12V and 83% minimum for others output @ 230V and full load.

Turn On Delay: 1 second maximum at 120 Vac.

Hold Up Time: 20mS min. at 80% of full load.

Adjustability: Output user adjustable +/-5% minimum.

Input Fusing Protection: One T6A/250V fuse inserted in primary.

Over Voltage Protection: Unit latching down when output exceed 130% and recycle AC input to reset.

Over-Power Protection: Fold back mode 110-140%; Auto-recovery.

Short Circuit Protection: Trip without damage and auto-recovery.

Over-Temperature Protection: Unit protected of excessive operating ambient 85 °C, and automatic recovery.

Operating Temperature: 0 to 70 °C ambient, de-rating at 2.5% per degree from 50 °C to 70 °C

Operating Humidity: 5% to 90% RH, Non-condensing.

Storage Humidity: 5% to 95% RH, Non-condensing.

Storage Temperature: -20 °C to 85 °C

Vibration: 5 ~ 50 Hz, acceleration 7.35 m/s*s on X,Y and Z Axis.

Remote On-Off: Designated as RMSW on the CN1, requires a low signal to inhibit output. Hiccup mode.

Power Supply On: Green LED designated as LED1 on the PCB.

Power Good: Designated as PG on the CN1 will go high 100-500mS after regulation and goes low 1mS before loss of regulation.

Fan Drive: 12VDC/300mA is available to drive an external fan.

Switching Frequency: 25K Hz fixed frequency.

EMC Standards: CISPR 22 / EN55022 class B, EN61000-3-2,3, EN61000-4-2,3,4,5,6,8,11, EN55024 CE Marked (LVD).

Safety Regulation: Approved to UL60950-1, CSA C22.2 No. 60950-1, TUV EN60950-1 and CB certificate available.

Leakage Current: Regular Type 1.5mA @ 240Vac.

(optional for 500uA max. at 240Vac / 300uA max. at 120Vac input)

HI-POT Withstand Voltage: 1500 VAC input line to chassis (10mA DC cut off current); Isolating 3000VAC primary to secondary windings; Primary to core 1500VAC. All for 3 sec.

Grounding Test: Apply 25 A from ground pin of the three prong plug to the far most earth. Max allowable resistance 0.1 ohm.

Cooling:

U Type: 250W / 135W max. @ forced air flow/convection.

Burn in: 45 +/-5 degree C for 1 hour @230Vac with full load.

Enclosure:

U Type (U-Chassis Type): 5(L) x 3.2(W) x 1.5(H) inches.

Weight: 400g;

OUTPUT RATINGS:

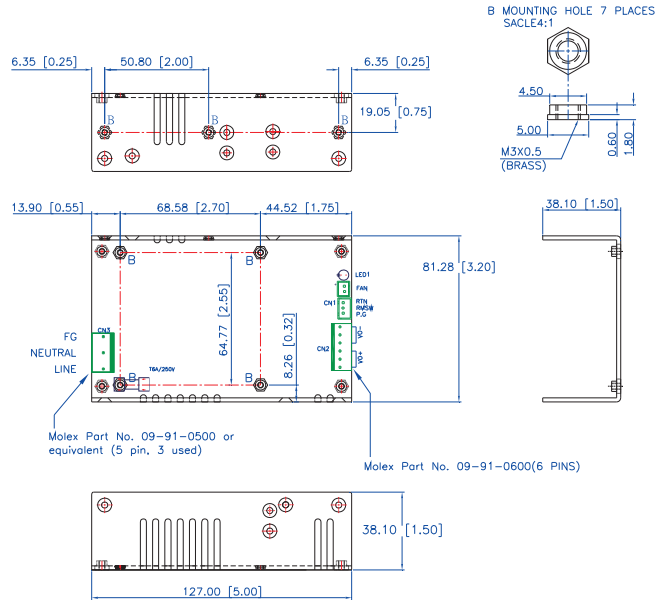
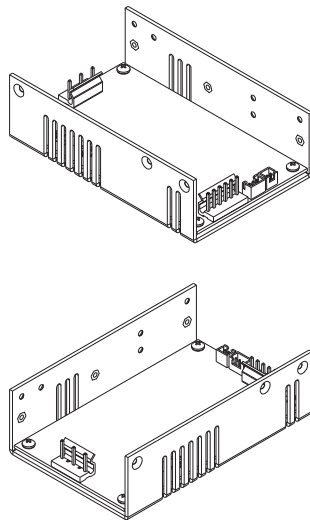
P/N:	Preset Voltage	Max. Output Power or Current		Regulation	Ripple & Noise
		Type E (with forced air)	Type U (Convection)		
U1250U-59 AL	59V	250W	135W	+/-1%	1%

NOTE:

- * U Type: 250W max. with 16CFM forced air flow offering;135W max. under air convection.
- * Providing peak power to 600W within 500uS for all models, longer duty duration need contact manufacturer.
- * Ripple and noise is measured from 10KHZ to 20MHz bandwidth at output with parallel 0.1uF ceramic and 22uF electrolytic capacitors.
- * 1% minimum load is required to maintain the ripple and regulation.
- * Output is fully isolated.

OUTLINE DRAWING:

U Type (U-channel)



NOTES:

Input Connector(CN3): Mating Molex Part No. 09-91-0500 or equivalent (5 pin, 3 used) PCB Labeling: L = Line; N = Neutral; G = Chassis Ground; Molex Engineering Series 2478, 2578, 8818.

Output Connector (CN2): Mating Molex Part No. 09-91-0600. Mating Pins: Molex Engineering Series 2478, 2578, 8818.

Connector Pin Assignment: (See table at right).

Power Good, Remote On/Off mating connectors (CN1):

Mating JST Part No. XHP-3 or equivalent (CHYAO SHIUNN JS-2001-03).

Mating Pins: JST SXH-002T-P0.6 FOR AWG 30 to 26.

Signal Pin Assignment:

Pins 1 : Power good .

Pins 2 : Remote Switch.

Pins 3 : RTN.

Fan Drive: Mating JST Part No. XHP-2 or equivalent (CHYAO SHIUNN JS-2001-02).

Mounting Inserts: 7 Places M3. Maximum Penetration 3.8mm sees outline drawing for location.

Molex
Pins 1-3: V+
Pins 4-6: V-